

## **HIGH EAVE (SCULPTURED)**

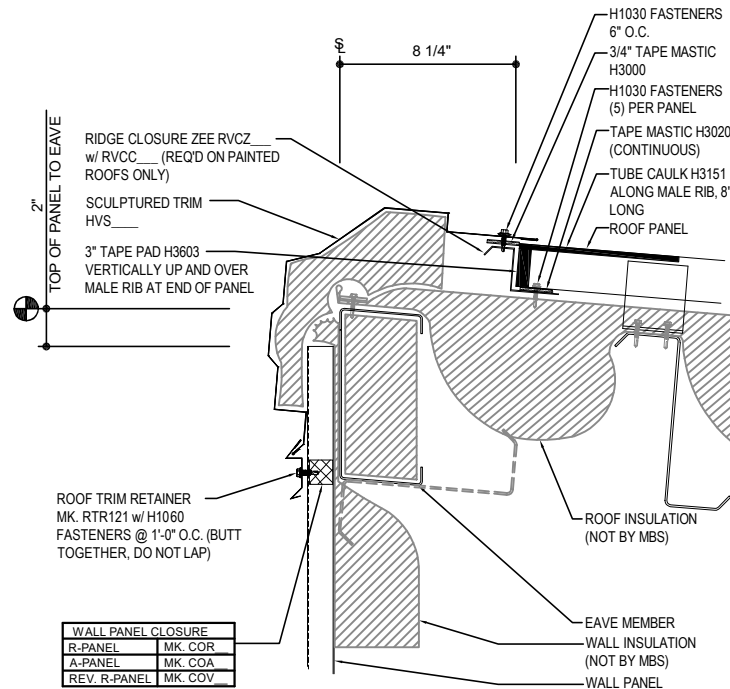
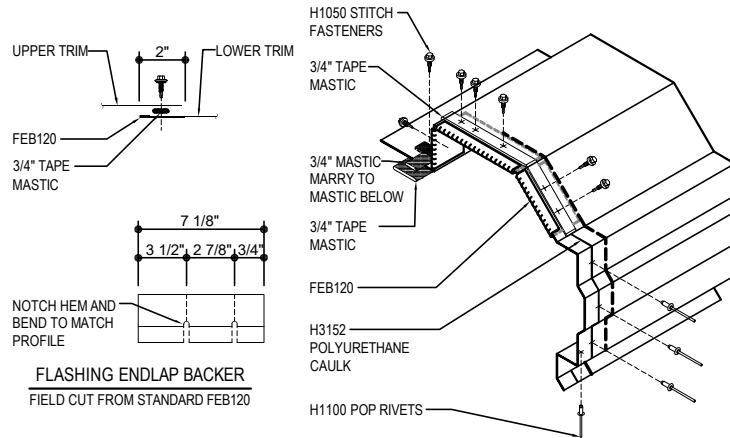
- EH3010 - HIGH EAVE STRUT w WALL PANEL
  - EH3030 - HIGH EAVE w MASONRY WALL
  - EH3050 - HIGH EAVE GIRT w NO WALL PANEL
  - EH3051 - HIGH EAVE STRUT w NO WALL PANEL
  - EH3055 - HIGH EAVE GIRT w PARTIAL WALL PANEL
  - EH3056 - HIGH EAVE STRUT w PARTIAL WALL PANEL
  - EH3610 - HIGH EAVE STRUT w INSULATED WALL PANEL
-

### EH3010 - HIGH EAVE STRUT W/ WALL PANEL

[Download the DWG file by clicking here.](#)

#### HIGH EAVE LAP & FLASHING BACKER

SLIDE FIELD CUT SECTION FLASHING ENDLAP BACKER ONTO THE LOWER TRIM PIECE. PLACE TAPE MASTIC NEXT TO HEM OF THE BACKER (NOT ON TOP OF HEM). APPLY CONTINUOUS BEAD OF CAULK 1" FROM END OF TRIM DOWN PROFILE OF TRIM. FASTEN LAP WITH STITCH FASTENERS AND POP RIVETS AS SHOWN.



#### HIGH EAVE SCULPTURED DETAIL

HIGH EAVE SCULPTURED DETAIL w/ WALL PANELS  
SEE WALL SHEETING ERECTION NOTES FOR WALL PANEL FASTENER LOCATIONS

**EH3010**

#### Detailer Notes:

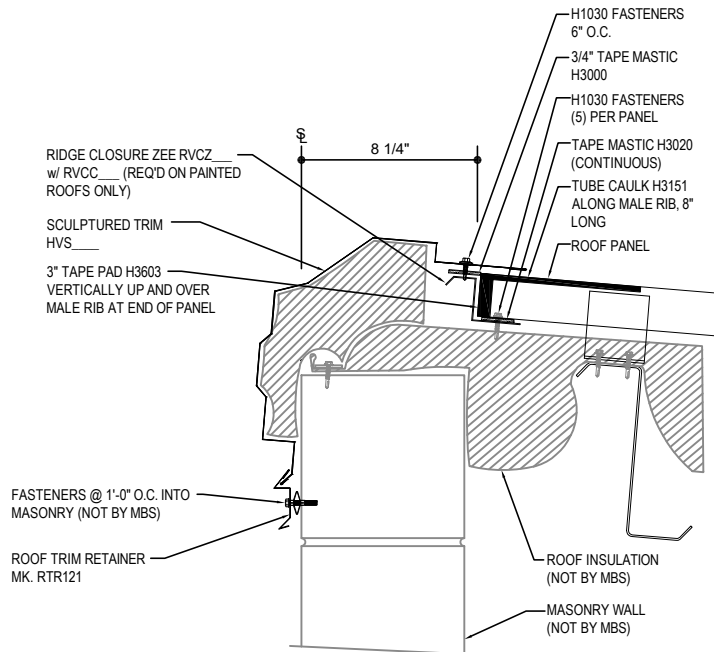
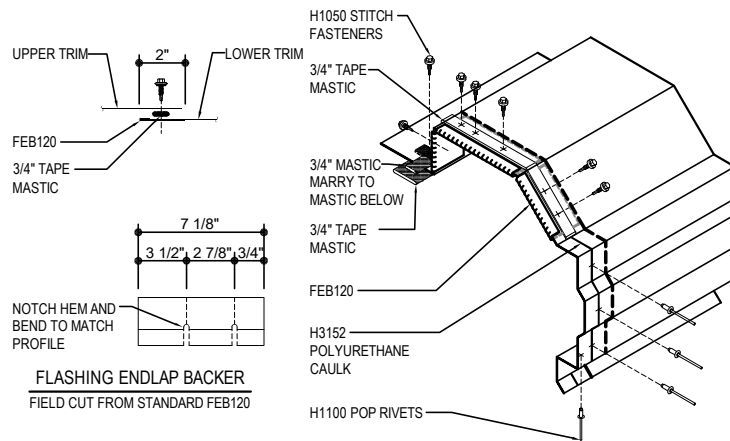
- 1) CLOSURES HIGH EAVE LAYER DEFAULT IS ON. LAYER MUST BE TURNED OFF IF CLOSURES ARE NOT REQUIRED.
- 2) THIS STANDARD DETAIL IS APPROVED FOR MIAMI-DADE USE. ALTERATIONS TO THIS DETAIL MAY IMPACT APPROVAL.

### EH3030 - HIGH EAVE W/ MASONRY WALL

[Download the DWG file by clicking here.](#)

#### HIGH EAVE LAP & FLASHING BACKER

SLIDE FIELD CUT SECTION FLASHING ENDLAP BACKER ONTO THE LOWER TRIM PIECE. PLACE TAPE MASTIC NEXT TO HEM OF THE BACKER (NOT ON TOP OF HEM). APPLY CONTINUOUS BEAD OF CAULK 1" FROM END OF TRIM DOWN PROFILE OF TRIM. FASTEN LAP WITH STITCH FASTENERS AND POP RIVETS AS SHOWN.



#### HIGH EAVE SCULPTURED DETAIL

HIGH EAVE SCULPTURED DETAIL w/ MASONRY WALL

**EH3030**

#### Detailer Notes:

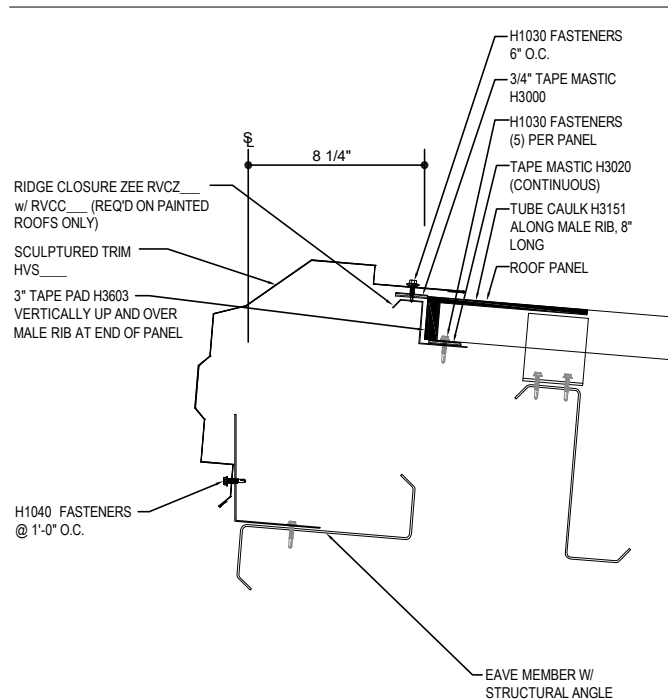
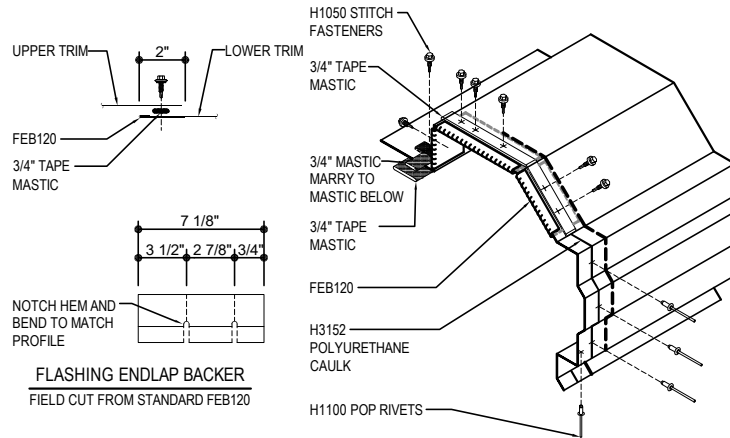
- 1) THIS STANDARD DETAIL IS APPROVED FOR MIAMI-DADE USE. ALTERATIONS TO THIS DETAIL MAY IMPACT APPROVAL.

### EH3050 - HIGH EAVE GIRT W/ NO WALL PANEL

[Download the DWG file by clicking here.](#)

#### HIGH EAVE LAP & FLASHING BACKER

SLIDE FIELD CUT SECTION FLASHING ENDLAP BACKER ONTO THE LOWER TRIM PIECE. PLACE TAPE MASTIC NEXT TO HEM OF THE BACKER (NOT ON TOP OF HEM). APPLY CONTINUOUS BEAD OF CAULK 1" FROM END OF TRIM DOWN PROFILE OF TRIM. FASTEN LAP WITH STITCH FASTENERS AND POP RIVETS AS SHOWN.



#### HIGH EAVE SCULPTURED DETAIL

HIGH EAVE SCULPTURED DETAIL w/ NO WALL PANELS

**EH3050**

#### Detailer Notes:

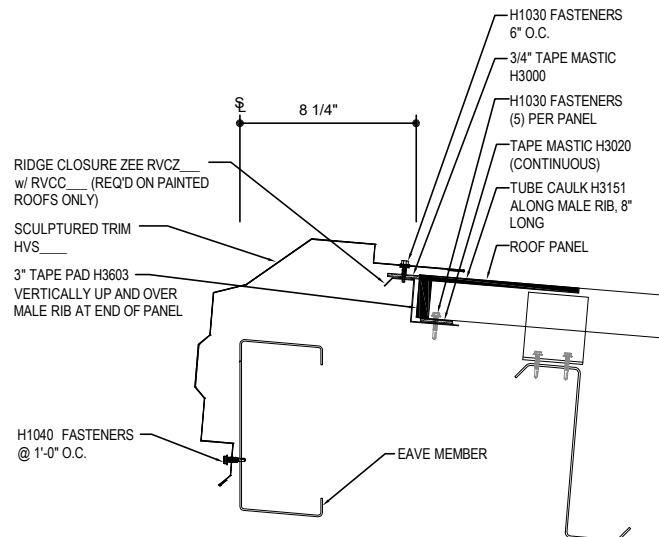
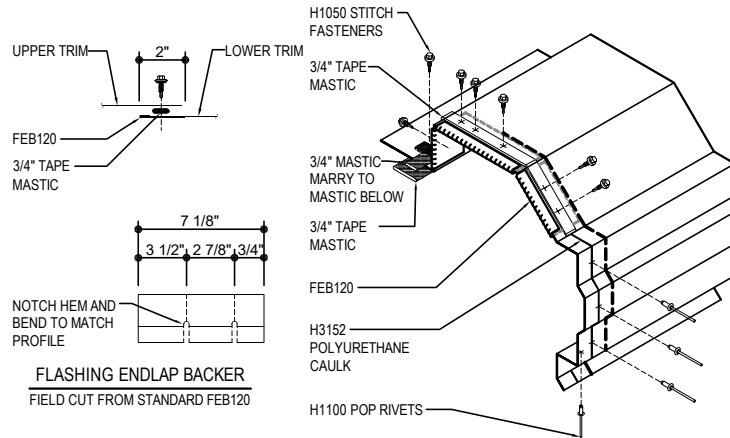
- 1) THIS STANDARD DETAIL IS APPROVED FOR MIAMI-DADE USE. ALTERATIONS TO THIS DETAIL MAY IMPACT APPROVAL.

### EH3051 - HIGH EAVE STRUT W/ NO WALL PANEL

[Download the DWG file by clicking here.](#)

#### HIGH EAVE LAP & FLASHING BACKER

SLIDE FIELD CUT SECTION FLASHING ENDLAP BACKER ONTO THE LOWER TRIM PIECE. PLACE TAPE MASTIC NEXT TO HEM OF THE BACKER (NOT ON TOP OF HEM). APPLY CONTINUOUS BEAD OF CAULK 1" FROM END OF TRIM DOWN PROFILE OF TRIM. FASTEN LAP WITH STITCH FASTENERS AND POP RIVETS AS SHOWN.



#### HIGH EAVE SCULPTURED DETAIL

HIGH EAVE SCULPTURED DETAIL W/ NO WALL PANELS

**EH3051**

#### Detailer Notes:

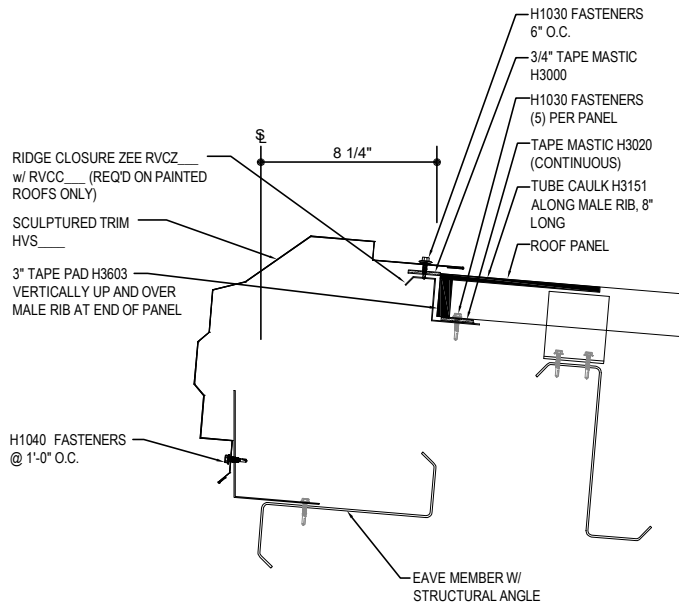
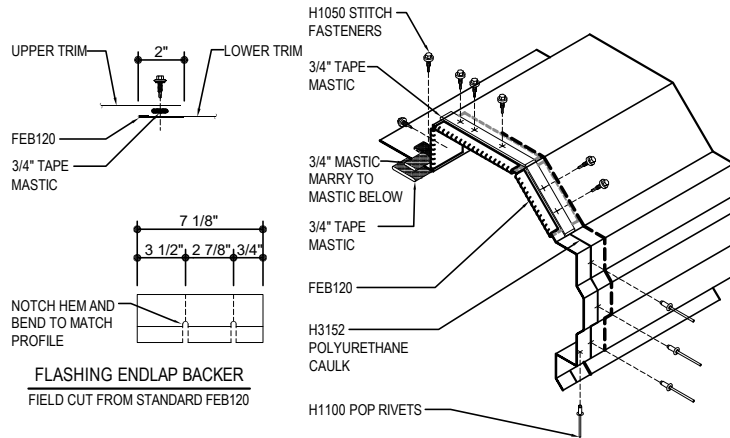
- 1) THIS STANDARD DETAIL IS APPROVED FOR MIAMI-DADE USE. ALTERATIONS TO THIS DETAIL MAY IMPACT APPROVAL.

**EH3055 - HIGH EAVE GIRT W/ PARTIAL WALL PANEL**

[Download the DWG file by clicking here.](#)

**HIGH EAVE LAP & FLASHING BACKER**

SLIDE FIELD CUT SECTION FLASHING ENDLAP BACKER ONTO THE LOWER TRIM PIECE. PLACE TAPE MASTIC NEXT TO HEM OF THE BACKER (NOT ON TOP OF HEM). APPLY CONTINUOUS BEAD OF CAULK 1" FROM END OF TRIM DOWN PROFILE OF TRIM. FASTEN LAP WITH STITCH FASTENERS AND POP RIVETS AS SHOWN.



**HIGH EAVE SCULPTURED DETAIL**

HIGH EAVE SCULPTURED DETAIL W/ PARTIAL WALL PANELS

**EH3055**

**Detailer Notes:**

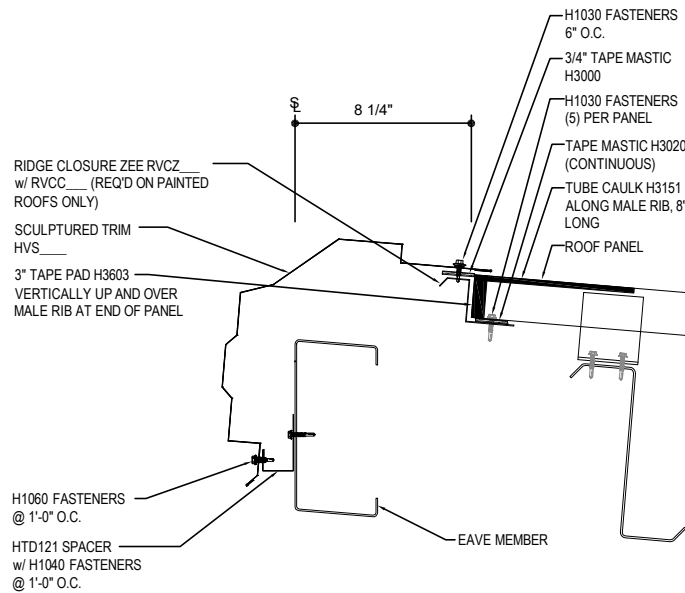
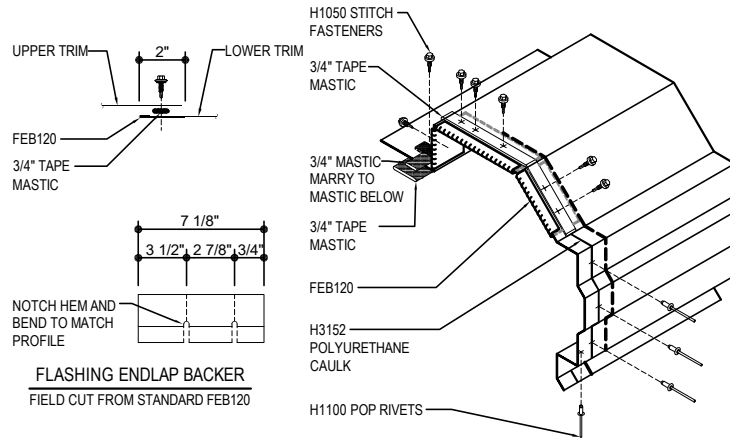
- 1) THIS STANDARD DETAIL IS APPROVED FOR MIAMI-DADE USE. ALTERATIONS TO THIS DETAIL MAY IMPACT APPROVAL.

## EH3056 - HIGH EAVE STRUT W/ PARTIAL WALL PANEL

[Download the DWG file by clicking here.](#)

### HIGH EAVE LAP & FLASHING BACKER

SLIDE FIELD CUT SECTION FLASHING ENDLAP BACKER ONTO THE LOWER TRIM PIECE. PLACE TAPE MASTIC NEXT TO HEM OF THE BACKER (NOT ON TOP OF HEM). APPLY CONTINUOUS BEAD OF CAULK 1" FROM END OF TRIM DOWN PROFILE OF TRIM. FASTEN LAP WITH STITCH FASTENERS AND POP RIVETS AS SHOWN.



### HIGH EAVE SCULPTURED DETAIL

HIGH EAVE SCULPTURED DETAIL w/ PARTIAL WALL PANELS

EH3056

#### Detailer Notes:

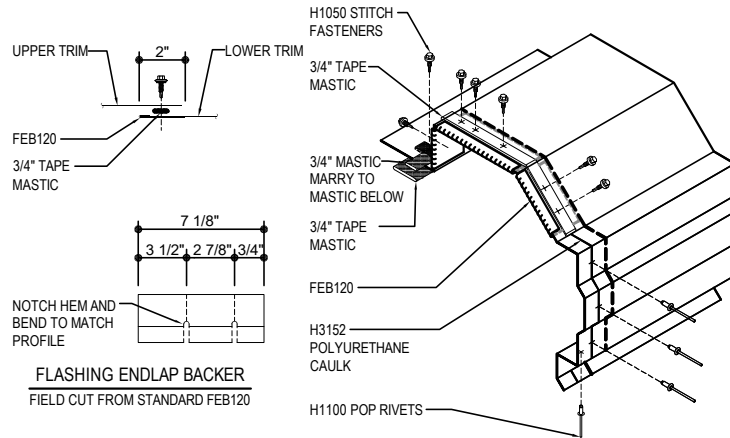
1) THIS STANDARD DETAIL IS APPROVED FOR MIAMI-DADE USE. ALTERATIONS TO THIS DETAIL MAY IMPACT APPROVAL.

### EH3610 - HIGH EAVE STRUT W/ INSULATED WALL PANEL

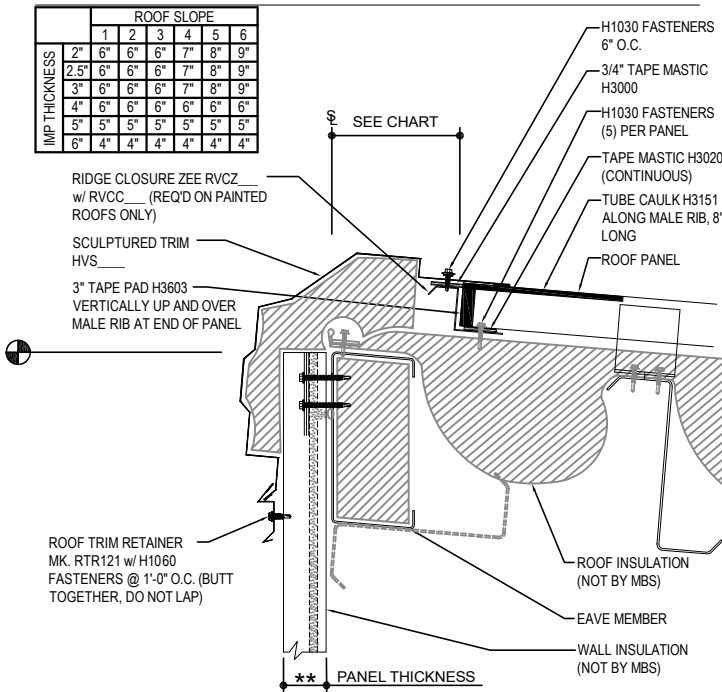
[Download the DWG file by clicking here.](#)

#### HIGH EAVE LAP & FLASHING BACKER

SLIDE FIELD CUT SECTION FLASHING ENDLAP BACKER ONTO THE LOWER TRIM PIECE. PLACE TAPE MASTIC NEXT TO HEM OF THE BACKER (NOT ON TOP OF HEM). APPLY CONTINUOUS BEAD OF CAULK 1" FROM END OF TRIM DOWN PROFILE OF TRIM. FASTEN LAP WITH STITCH FASTENERS AND POP RIVETS AS SHOWN.



**FLASHING ENDLAP BACKER**  
FIELD CUT FROM STANDARD FEB120



#### HIGH EAVE SCULPTURED DETAIL

HIGH EAVE SCULPTURED DETAIL W/ WALL PANELS  
SEE WALL SHEETING ERECTION NOTES FOR WALL PANEL FASTENER LOCATIONS

**EH3610**

#### Detailer Notes:

- 1) THIS STANDARD DETAIL IS APPROVED FOR MIAMI-DADE USE. ALTERATIONS TO THIS DETAIL MAY IMPACT APPROVAL.